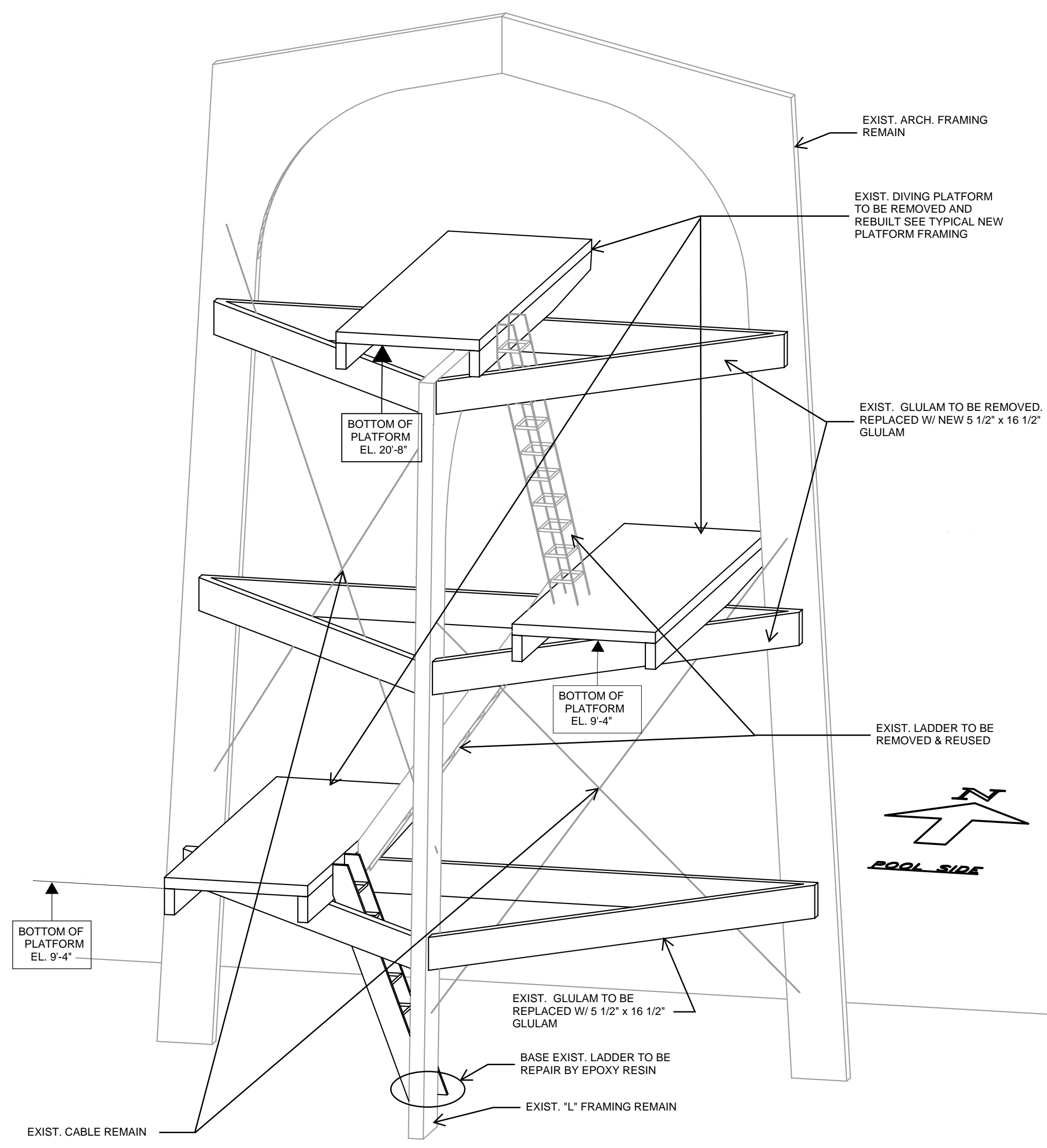


**ISOMETRIC VIEW-1**  
SCALE: 1/4"=1'-0"

ALL EXISTING PAINT ON EXISTING ARCH & "L" MEMBERS TO BE REMOVED & REPAINT W/ HIGH QUALITY LATEX PAINT. COLOR TO BE DETERMINED BY THE OWNER.



**ISOMETRIC VIEW-2**  
SCALE: 1/4"=1'-0"



EXISTING DIVING PLATFORM STAND



PHOTO #1

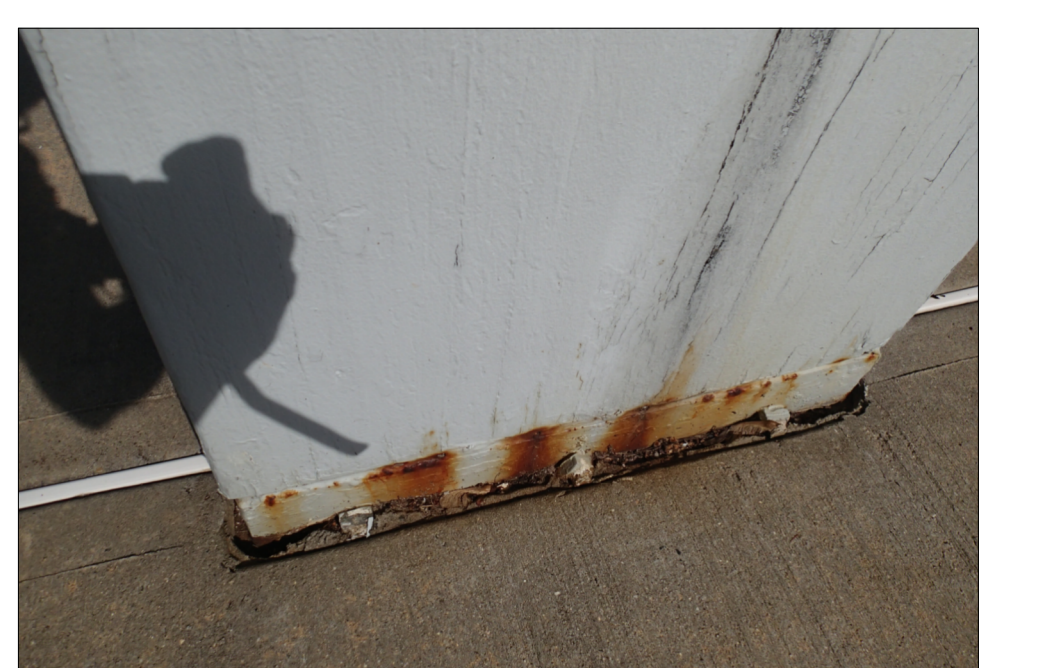
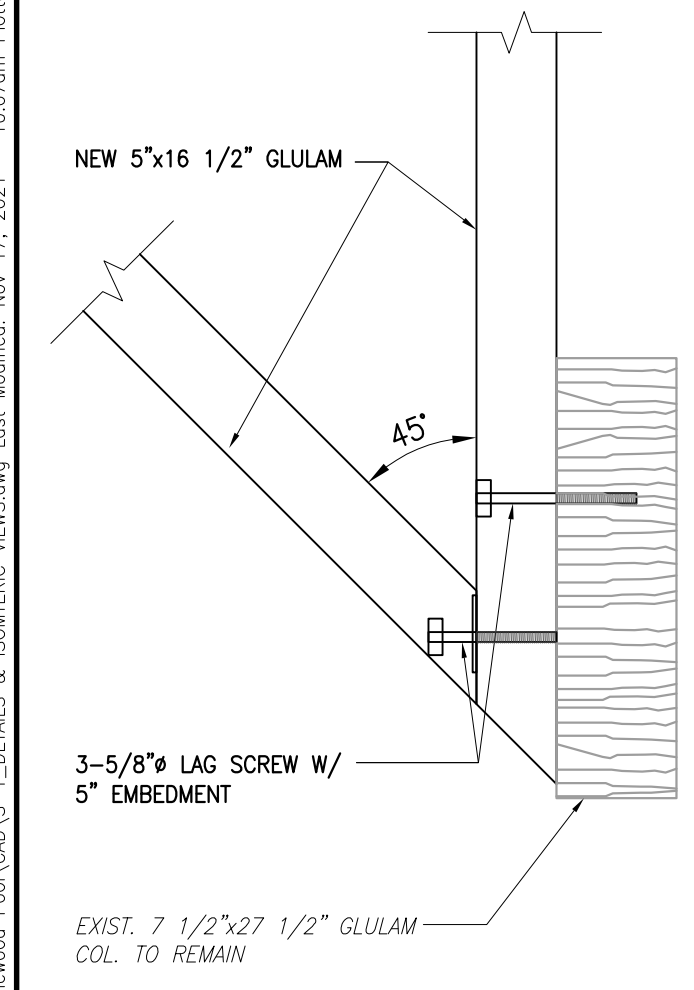
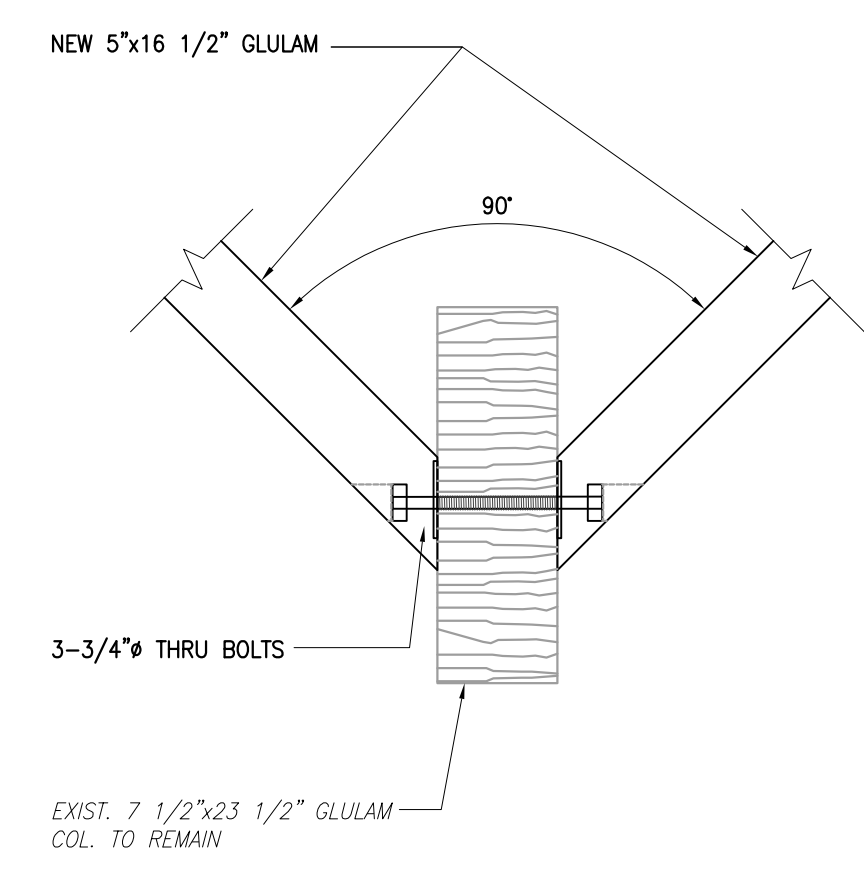


PHOTO #2

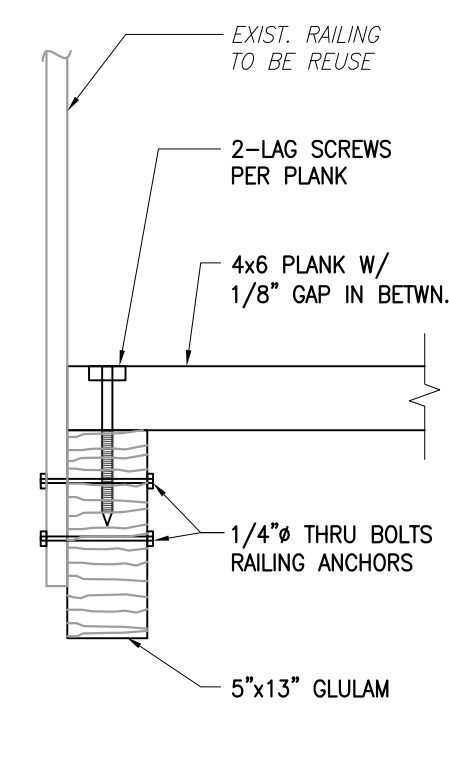
EXISTING CONDITION PHOTOS



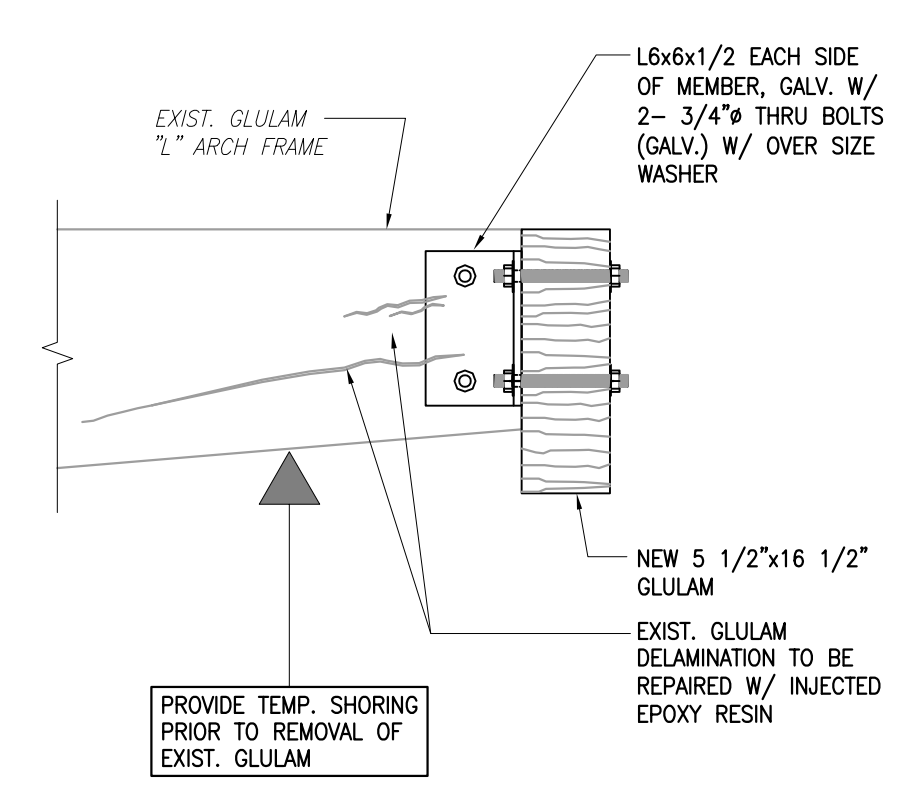
**1**  
S-1 SCALE: 1"=1'-0"



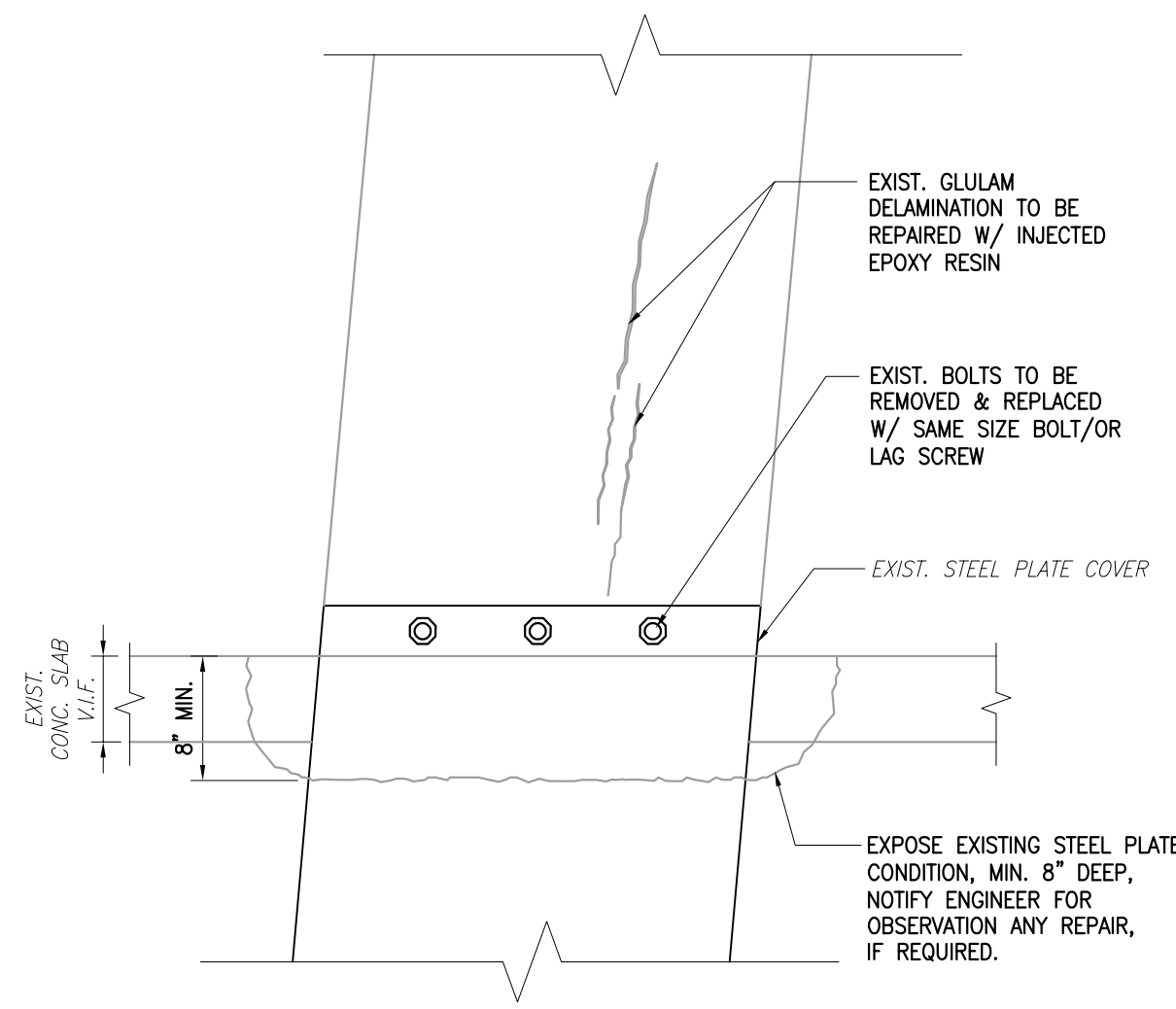
**2**  
S-1 SCALE: 1"=1'-0"



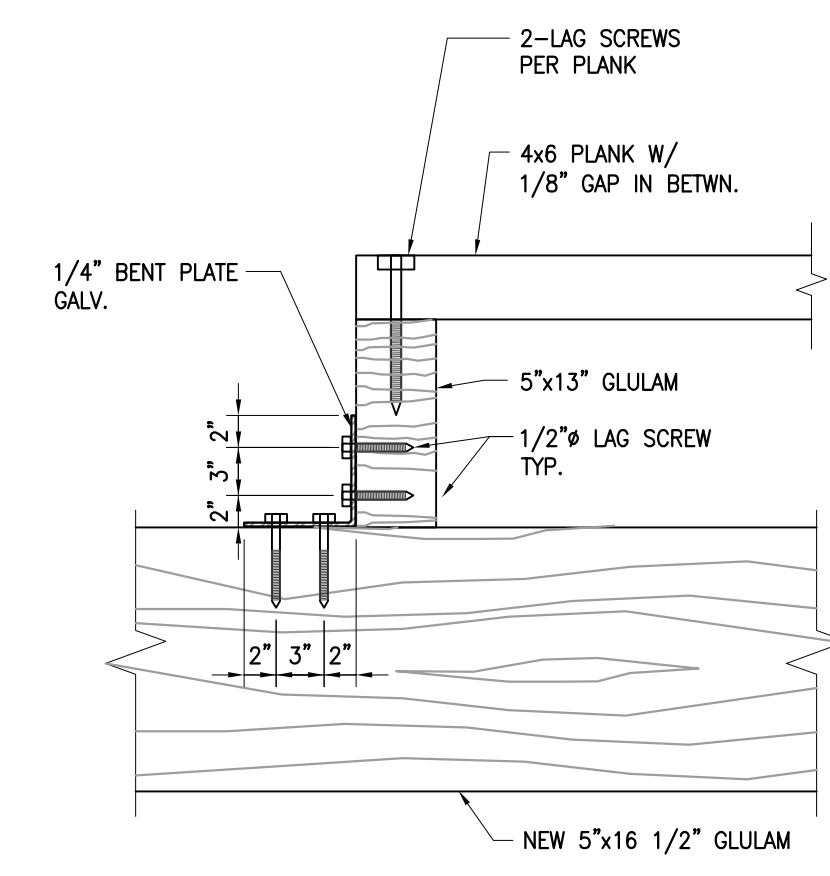
**3**  
S-1 SCALE: 1"=1'-0"



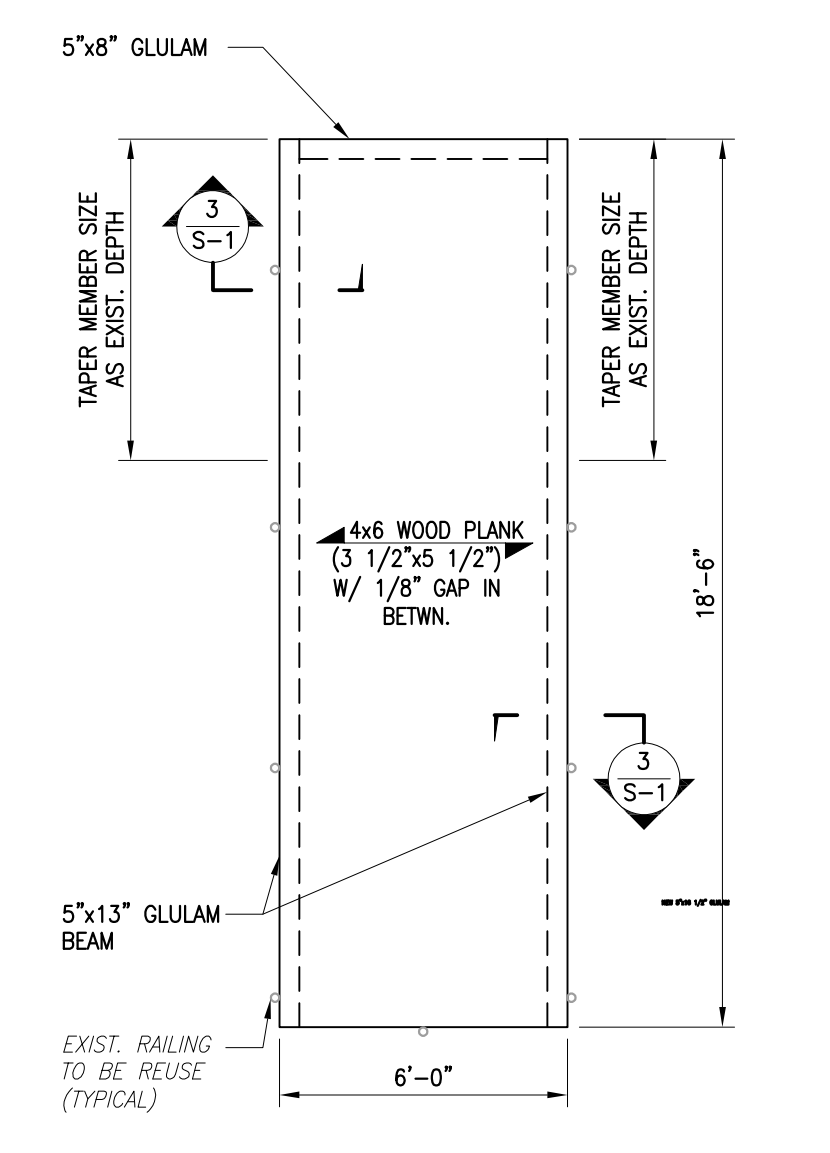
**4**  
S-1 SCALE: 1"=1'-0"



**5**  
S-1 SCALE: 1"=1'-0"



**TYPICAL PLATFORM CONNECTION DETAIL**  
SCALE: 1"=1'-0"



**TYPICAL NEW PLATFORM FRAMING**  
SCALE: 1/4"=1'-0"

No.	DATE	DESCRIPTION	BY
PROJECT			
SWIMMING POOL DIVING BOARD MAPLEWOOD, NJ 10021			
SHEET TITLE			
ISOMETRIC VIEWS AND DETAILS			
SCALE	DATE	DRAWING NUMBER	
AS SHOWN	09/01/2021	S-1	
DRAWN BY	CHECKED BY		
ML	JL		

M. JEFF LING N.J.P.E. # 31744  
**CEC, INC.**  
 CONSULTING ENGINEERS COLLABORATIVE, INC.  
 790 BOULEVARD KENILWORTH, NJ 07033  
 PHONE: 908-288-1600 FAX: 908-288-0702

Drawing Name: P:\Projects\2021\1003 Mapwood Pool\CAD\S-1\_DETAILS & ISOMETRIC VIEWS.dwg Last Modified: Nov 17, 2021 10:07am by marie